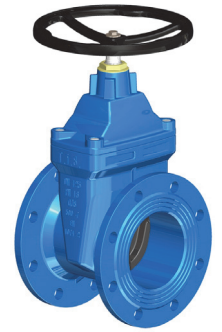


PN 10

PN 16

SARACINESCA A CUNEO GOMMATO - CORPO PIATTO PN10-PN16 SOFT SEATED GATE VALVE - SHORT BODY PN10-PN16

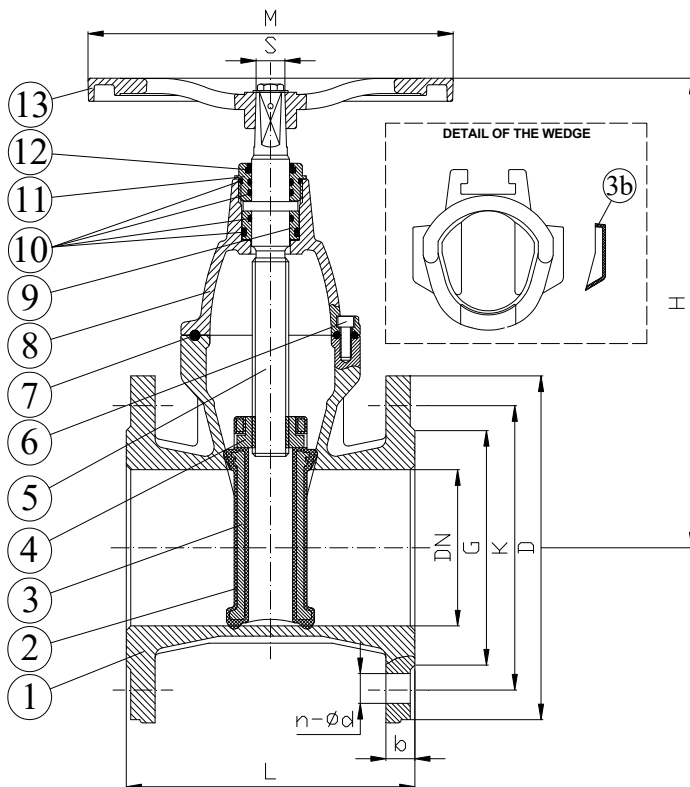


APPLICAZIONE:

Fornitura e distribuzione acqua potabile, trattamento acque reflue e sistemi fognari, settori industriali.

APPLICATION:

Drinkable water supply and distribution, waste water treatment and sewerage.



DN	G	K		D		L	H	n-ød		b	M	S	W (kg)
		PN10	PN16	PN10	PN16			PN10	PN16				
40	84	110	110	150	150	140	205	4-19	4-19	19	200	14	8.5
50	99	125	125	165	165	150	205	4-19	4-19	19	200	14	9.5
65	118	145	145	185	185	170	225	4-19	4-19	19	200	17	12
80	132	160	160	200	200	180	250	8*-19	8-19	19	200	17	14
100	156	180	180	220	220	190	292	8-19	8-19	19	250	19	18.5
125	184	210	210	250	250	200	329	8-19	8-19	19	250	19	21
150	211	240	240	285	285	210	379	8-23	8-23	19	350	19	35
200	266	295	295	340	340	230	482	8-23	12-23	20	350	24	58
250	319	350	355	395	405	250	560	12-23	12-28	22	500	27	73
300	370	400	410	445	460	270	636	12-23	12-28	24.5	500	27	103

CARATTERISTICHE PRINCIPALI - MAIN FEATURES

NORMA PROGETTO:	EN 1171 EN 1074-1 ed EN 1074-2 EN 558 Serie14
SCARTAMENTO:	EN 1092-2
FLANGE:	EN 12266-1
COLLAUDI:	Max. +70°C
TEMP. ESERCIZIO:	
DESIGN STANDARD:	EN 1171 EN 1074-1 and EN 1074-2
FACE TO FACE:	EN 558 Series14
FLANGES:	EN 1092-2
TESTS:	EN 12266-1
WORKING TEMP.:	Max. +70°C

	COMPONENTI - PARTS	MATERIALI - MATERIALS
1	CORPO BODY	EN-GJS 500-7 EN-GJS 500-7
2	RIVESTIMENTO CUNEO WEDGE	GOMMA EPDM (a richiesta NBR) EPDM COATED (NBR on request)
3	STRUTTURA CUNEO CORE	EN-GJS 500-7 EN-GJS 500-7
3b	GUIDA GUIDE	NYLON NYLON
4	MADREVITE STEM NUT	BRONZO ALLUMINIO ALUMINIUM BRONZE
5	ASSE STEM	ACC.INOX AISI 420 (EN 1.4021) SS AISI 420 (EN 1.4021)
6	VITE SCREW	ACCIAIO ZINCATO 8.8 GALVANIZED STEEL 8.8
7	GUARNIZIONE GASKET	EPDM EPDM
8	CAPPELLO BONNET	EN-GJS 500-7 EN-GJS 500-7
9	BOCCOLA BUSHING	POM POM
10	O-RING O-RING	NBR NBR
11	BOCCOLA DI TENUTA PACKING GLAND	OTTONE BRASS
12	PARAPOLVERE DUSTPROOF	NBR NBR
13	VOLANTINO HANDWHEEL	ACCIAIO S235JR STEEL S235JR

RIVESTIMENTO - COATING

Esterno/interno con polvere epossidica di colore blu RAL 5015 e spessore 250µm.

External/internal FBE coating process with epoxy resin powder of blue colour RAL 5015 and thickness of 250µm.