
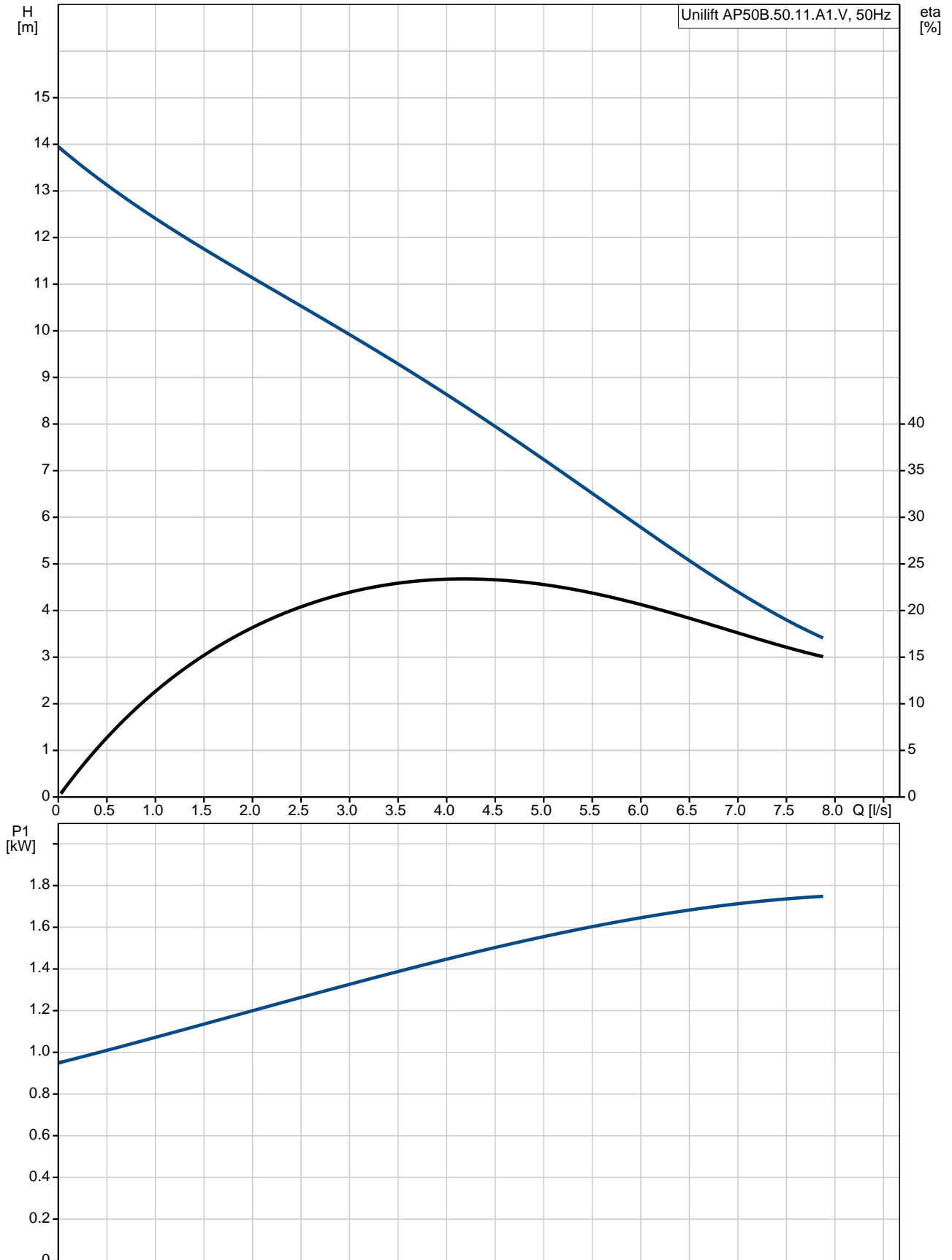


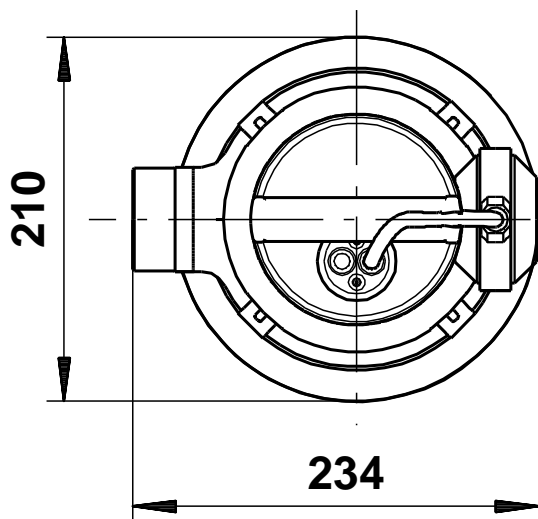
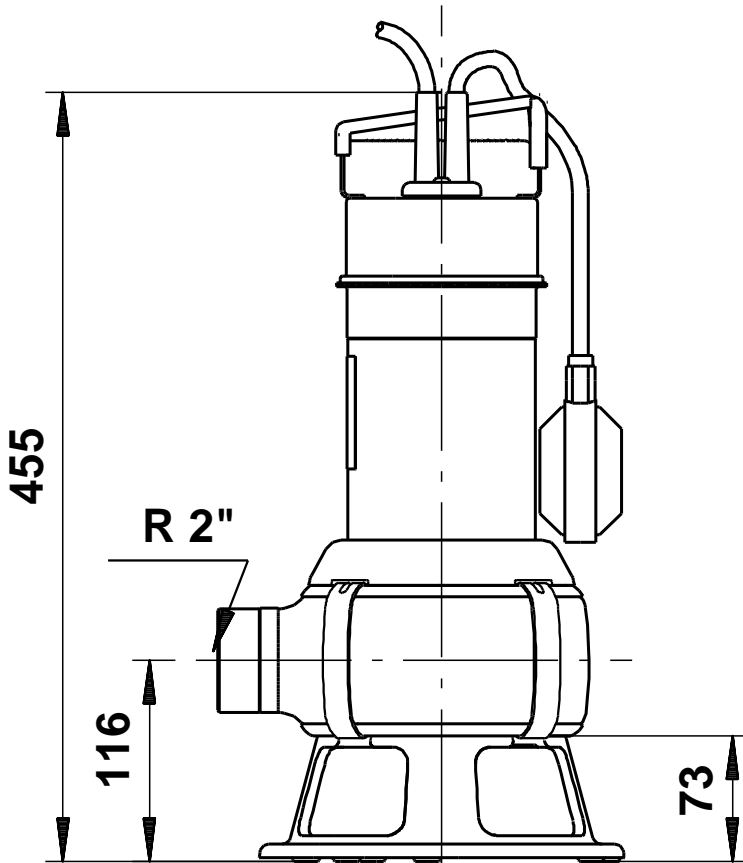
Position	Qty.	Description														
	1	<p data-bbox="320 338 608 365">Unilift AP50B.50.11.A1.V</p> <div data-bbox="419 389 600 772" style="text-align: center;">  </div> <p data-bbox="711 770 1193 795" style="text-align: center;">Note! Product picture may differ from actual product</p> <p data-bbox="320 801 587 828">Product No.: 96004598</p> <p data-bbox="320 831 616 857">Submersible effluent pump</p> <p data-bbox="320 891 847 976">Vertical single-stage stainless steel submersible pump with integrated submersible 1-phase motor.</p> <p data-bbox="320 1010 828 1126">The pump is fitted with ring stand and carrying handle and is supplied with a 5 m mains cable and a level switch for automatic start and stop.</p> <p data-bbox="320 1160 810 1272">The impeller is a VORTEX impeller for 50 mm free passage suitable for pumping surface water, groundwater, wastewater and similar.</p> <p data-bbox="320 1305 855 1391">The pump has a double shaft seal and an intermediate oil chamber pre-filled with non-toxic special oil.</p> <p data-bbox="320 1424 866 1509">The motor is insulation class F with thermal overload protection and has long-life deep-groove greased-for-life ball bearings.</p> <p data-bbox="320 1543 794 1628">The pump has R 2" discharge port and is ready for installation either free-standing or on an auto-coupling system.</p> <p data-bbox="320 1662 405 1688">Liquid:</p> <table data-bbox="320 1691 916 1780"> <tr> <td>Pumped liquid:</td> <td>Any Newtonian liquid</td> </tr> <tr> <td>Maximum liquid temperature:</td> <td>40 °C</td> </tr> <tr> <td>Density:</td> <td>998.2 kg/m³</td> </tr> </table> <p data-bbox="320 1812 445 1839">Technical:</p> <table data-bbox="320 1841 788 1899"> <tr> <td>Type of impeller:</td> <td>VORTEX</td> </tr> <tr> <td>Maximum particle size:</td> <td>50 mm</td> </tr> </table> <p data-bbox="320 1930 437 1957">Materials:</p> <table data-bbox="320 1960 887 2101"> <tr> <td>Pump housing:</td> <td>Stainless steel DIN W.-Nr. 1.4301</td> </tr> <tr> <td>Impeller:</td> <td>Stainless steel DIN W.-Nr. 1.4301</td> </tr> </table>	Pumped liquid:	Any Newtonian liquid	Maximum liquid temperature:	40 °C	Density:	998.2 kg/m ³	Type of impeller:	VORTEX	Maximum particle size:	50 mm	Pump housing:	Stainless steel DIN W.-Nr. 1.4301	Impeller:	Stainless steel DIN W.-Nr. 1.4301
Pumped liquid:	Any Newtonian liquid															
Maximum liquid temperature:	40 °C															
Density:	998.2 kg/m ³															
Type of impeller:	VORTEX															
Maximum particle size:	50 mm															
Pump housing:	Stainless steel DIN W.-Nr. 1.4301															
Impeller:	Stainless steel DIN W.-Nr. 1.4301															

Position	Qty.	Description
		<p style="text-align: right;">AISI 304</p> <p>Installation: Pump outlet: R 2" Maximum installation depth: 2 m</p> <p>Electrical data: Type of motor: PSC C run: 20 µF Power input - P1: 1.75 kW Mains frequency: 50 Hz Rated voltage: 1 x 230 V Rated current: 8 A Cos phi - power factor: 0,95 Rated speed: 2760 rpm Capacitor size - run: 20 µF/400 V Enclosure class (IEC 34-5): IP68 Insulation class (IEC 85): F Length of cable: 5 m Type of cable plug: SCHUKO</p> <p>Others: Net weight: 11 kg Gross weight: 12 kg</p>

96004598 Unilift AP50B.50.11.A1.V 50 Hz



96004598 Unilift AP50B.50.11.A1.V 50 Hz



Note! All units are in [mm] unless others are stated.
Disclaimer: This simplified dimensional drawing does not show all details.