

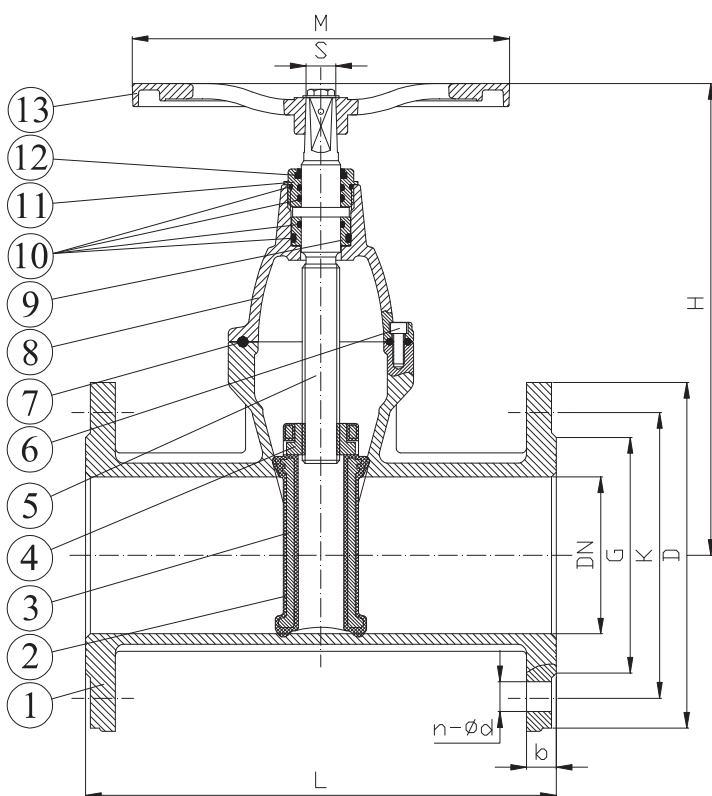
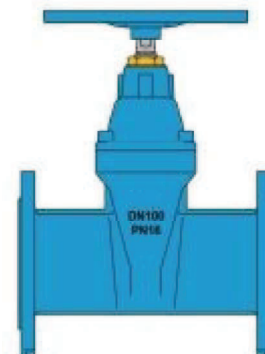
**SARACINESCA CUNEO GOMMATO PN10/16 CORPO OVALE**  
**SOFT SEATED GATE VALVE PN10/16 LONG BODY**

**APPLICAZIONE:**

Fornitura e distribuzione acqua, trattamento acque reflue e sistemi fognari, settori industriali.

**APPLICATION:**

Water supply and distribution, waste water treatment and sewerage.



**NORMA PROGETTO:**

EN 1171  
 EN 1074-1 ed EN 1074-2

**SCARTAMENTO:**

EN 558-1 Serie15

**FLANGE:**

EN 1092-2

**COLLAUDI:**

EN 12266

**TEMP. ESERCIZIO:**

EPDM ≤ 70°C

**DESIGN STANDARD:**

EN 1171  
 EN 1074-1 and EN 1074-2

**FACE TO FACE:**

EN 558-1 Series15

**FLANGES:**

EN 1092-2

**TESTS:**

EN 12266

**WORKING TEMP.:**

EPDM ≤ 70°C

DENOMINAZIONE PART	MATERIALI MATERIALS
1 CORPO BODY	GJS 500 GJS 500
2 RIVESTIMENTO CUNEO WEDGE	GOMMA EPDM EPDM COATED
3 STRUTT. CUNEO CORE	GJS 500 GJS 500
4 MADREVITE STEM NUT	BRONZO ALLUMINIO ALUMINIUM BRONZE
5 ASSE STEM	ACCIAIO INOX AISI 420 STAINLESS STEEL AISI 420
6 VITE SCREW	ACCIAIO ZINCATO GALVANIZED STEEL
7 GUARNIZIONE GASKET	EPDM EPDM
8 CAPPELLO BONNET	GJS 500 GJS 500
9 BOCCOLA BUSHING	POM POM
10 O-RING O-RING	NBR NBR
11 BOCCOLA DI TENUTA PACKING GLAND	OTTONE BRASS
12 PARAPOLVERE DUSTPROOF	NBR NBR
13 VOLANTINO HANDWHEEL	GJS 500 GJS 500

DN	G	K		D		L	H	n-ød		b	M	S	W (kg)
		PN10	PN16	PN10	PN16			PN10	PN16				
40	84	110	110	150	150	240	203	4-19	4-19	19	200	14	9
50	98	125	125	165	165	250	205	4-19	4-19	19	200	14	10.5
65	118	145	145	185	185	270	225	4-19	4-19	19	200	17	13.5
80	132	160	160	200	200	280	250	4-19	8-19	19	200	17	15.5
100	156	180	180	220	220	300	292	8-19	8-19	19	250	19	22
125	184	210	210	250	250	325	329	8-19	8-19	19	250	19	26
150	211	240	240	285	285	350	379	8-23	8-23	19	350	19	37
200	266	295	295	340	340	400	482	8-23	12-23	20	350	24	59
250	319	350	355	395	405	450	560	12-23	12-28	22	500	27	90
300	370	400	410	445	460	500	636	12-23	12-28	24.5	500	27	126

**RIVESTIMENTO ESTERNO/INTERNO:** Polvere epossidica 3M di colore BLU RAL 5015 con spessore min 250µm.

**SURFACE PROTECTION:** FBE coating process with 3M epoxy resin powder of sky blue color RAL 5015 and minimum thickness of 250µm.