



PN 10/16 - Art. D114 EPDM Q

PN 10/16 - Art. D116 EPDM Q

PN 10/16 - Art. D114 NBR Q

PN 10/16 - Art. D116 NBR Q

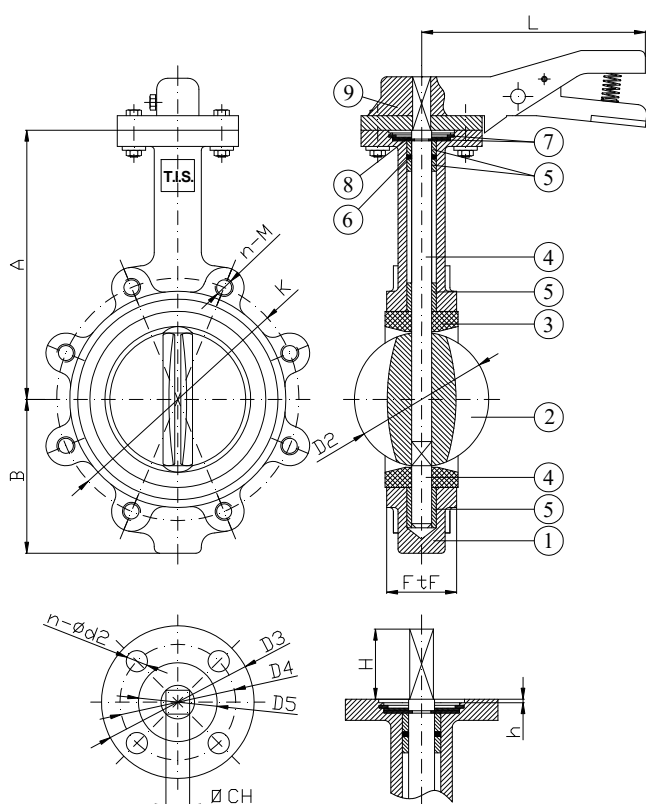
VALVOLA A FARFALLA LUG DA DN40 A DN200 PN10-PN16 LUG BUTTERFLY VALVE FROM DN40 TO DN200 PN10-PN16

APPLICAZIONE:

Impianti idrici, riscaldamento, condizionamento e antincendio.

APPLICATION:

Water systems, heating, conditioning and fire prevention.



RIVESTIMENTO - COATING

Esterno con polvere epossidica di colore blu RAL 5015 e spessore 250µm.

External FBE coating process with epoxy resin powder of blue colour RAL 5015 and thickness of 250µm.

CARATTERISTICHE PRINCIPALI - MAIN FEATURES

NORMA PROGETTO:	EN 593, EN 1074-1 ed EN 1074-2
SCARTAMENTO:	EN 558 Serie 20
FLANGE:	EN 1092-2
COLLAUDI:	EN 12266-1
FLANGIA SUPERIORE:	ISO 5211
TEMPERATURA ESERCIZIO:	EPDM ≤ +120°C NBR ≤ +80°C
DESIGN STANDARD:	EN 593, EN 1074-1 ed EN 1074-2
FACE TO FACE:	EN 558 Serie 20
FLANGES:	EN 1092-2
TESTS:	EN 12266-1
TOP FLANGE:	ISO 5211
WORKING TEMPERATURE:	EPDM ≤ +120°C NBR ≤ +80°C

	COMPONENTI PARTS	MATERIALI MATERIALS	
		Art. D114	Art. D116
1	CORPO BODY	EN-GJL 250 EN-GJL 250	EN-GJS 400-15 EN-GJS 400-15
2	DISCO DISC	EN-GJS 400-15 EN-GJS 400-15	INOX AISI 304 SS AISI 304
3	TENUTA SEAT	GOMMA EPDM (a richiesta NBR) EPDM COATED (NBR on request)	
4	ALBERO STEM	ACC. INOX AISI 420 (EN 1.4021) SS AISI 420 (EN 1.4021)	
5	BOCCOLA BUSHING	FIBRA DI VETRO + PTFE FIBERGLASS + PTFE	
6	O-RING O-RING	NBR NBR	
7	SEEGER SEEGER	ACCIAIO STEEL	
8	RONDELLA WASHER	ACC. INOX 304 (EN 1.4301) SS AISI 304 (EN 1.4301)	
9	LEVA LEVER	EN-GJL 250 EN-GJL 250	

DN	K	n-ød		D2	D3	D4	D5	n-ød2	h	CH	H	A	B	L	FtF	Kv	W(kg)
		PN10	PN16														
40	110	4-M16	4-M16	43	70	50	35	4-7	3	11	32	124	70	210	33	48	3.2
50	125	4-M16	4-M16	52	90	70	50	4-9	4	11	32	161	80	260	43	80	4.7
65	145	4-M16	4-M16	64	90	70	50	4-9	4	11	32	175	89	260	46	131	5.9
80	160	8-M16	8-M16	79	90	70	50	4-9	4	11	32	181	95	260	46	290	6
100	180	8-M16	8-M16	104	90	70	50	4-9	4	14	35	200	114	260	52	510	9
125	210	8-M16	8-M16	123	90	70	50	4-9	4	14	35	213	127	260	56	715	11
150	240	8-M20	8-M20	155	90	70	50	4-9	4	14	35	226	139	260	56	1387	12.7
200	295	8-M20	12-M20	202	125	102	70	4-12	4	17	40	260	175	360	60	2746	18.6