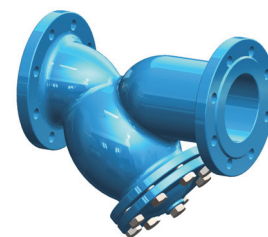


## FILTRO A "Y" PN16

### "Y" TYPE STRAINER PN16

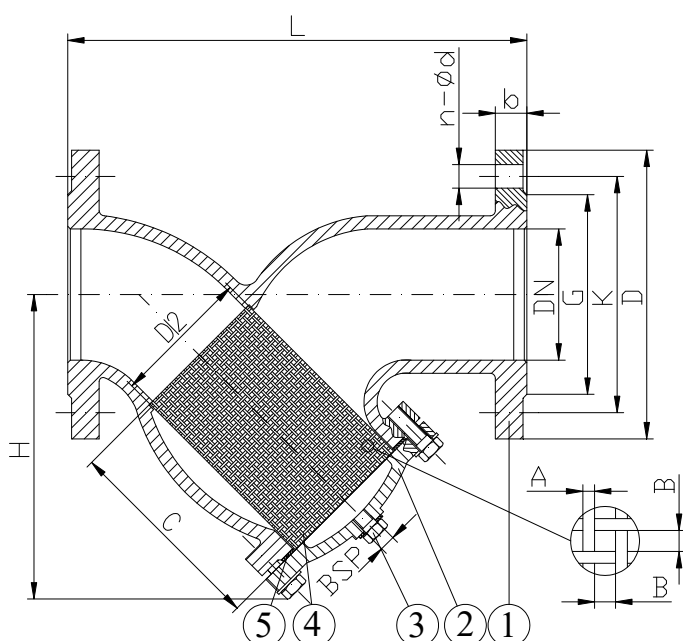


#### APPLICAZIONE:

Installazione per acqua e fluidi non aggressivi.

#### APPLICATION:

Suitable for water and not acidic fluids installation.



#### CARATTERISTICHE PRINCIPALI - MAIN FEATURES

<b>SCARTAMENTO:</b>	EN 558 Serie 1
<b>FLANGE:</b>	EN 1092-2
<b>COLLAUDI:</b>	EN 12266-1
<b>TEMPERATURA ESERCIZIO:</b>	Max. +120°C
<b>FACE TO FACE:</b>	EN 558 Serie 1
<b>FLANGES:</b>	EN 1092-2
<b>TESTS:</b>	EN 12266-1
<b>WORKING TEMPERATURE:</b>	Max. +120°C

	COMPONENTI - PARTS	MATERIALI - MATERIALS
1	CORPO BODY	EN-GJL 250 EN-GJL 250
2	COPERCHIO COVER	EN-GJL 250 EN-GJL 250
3	SPINOTTO PLUG	ACCIAIO ZINCATO 4.8 GALVANIZED STEEL 4.8
4	FILTRO FILTER	ACC.INOX AISI 304 (EN 1.4301) SS AISI 304 (EN 1.4301)
5	GUARNIZIONE GASKET	GRAFITE GRAPHITE

#### RIVESTIMENTO - COATING

Colore blu RAL 5000.  
Blue colour RAL 5000.

DN	15	20	25	32	40	50	65	80	100	125	150	200	250	300	350	400
L	130	150	160	180	200	230	290	310	350	400	480	600	730	850	980	1100
H	72	80	90	105	105	170	205	210	235	270	310	390	430	500	595	673
D	95	105	115	140	150	165	185	200	220	250	285	340	405	460	520	580
K	65	75	85	100	110	125	145	160	180	210	240	295	355	410	470	525
G	46	56	65	76	84	99	118	132	156	184	211	266	319	370	429	480
b	14	16	16	18	18	20	20	22	24	26	26	30	32	32	36	38
n-ød	4-14	4-14	4-14	4-19	4-19	4-19	4-19	8-19	8-19	8-19	8-23	12-23	12-28	12-28	16-28	16-31
A	0.5	0.5	0.5	0.5	0.5	0.5	0.9	0.9	0.9	0.9	0.9	0.9	0.9	0.9	0.9	0.9
B	1	1	1	1	1	1	1.6	1.6	1.6	1.6	1.6	2.4	2.4	2.4	2.4	2.4
BSP	-	-	1/2"	1/2"	1/2"	1/2"	1/2"	1/2"	1/2"	1/2"	1/2"	3/4"	3/4"	3/4"	1"	1"
C	58	64	69	89	99	134	168	143	155	197	235	317	325	385	495	563
D2	17	24	29	36	44	54	68	88	106	133	158	208	238	278	342	412
W (kg)	2.2	3.3	4.6	6	7.2	11.5	16.5	19	25	36	50	89	136	207	294	391